

Forged Rail Clips

ISC Elevator Products' forged rail clips match the quality of any rail clips available.

ISC forged rail clips are manufactured to strengths and tolerances set by ISO 7465-1997 and ASME A17.1 (as amended) and CSA B44.

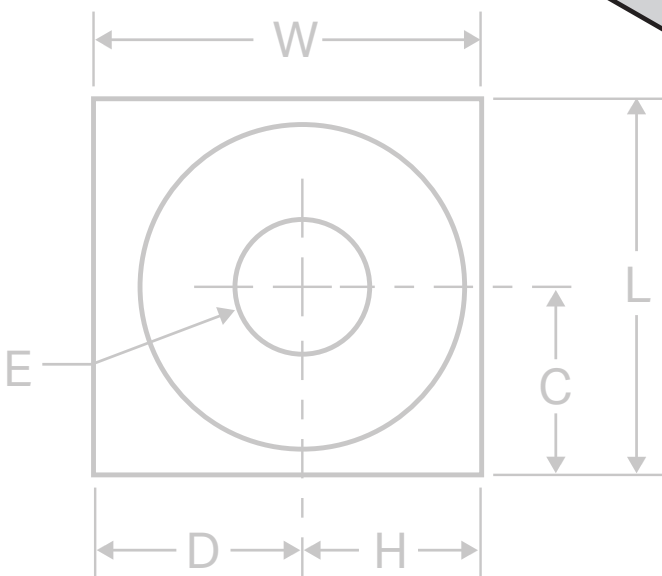
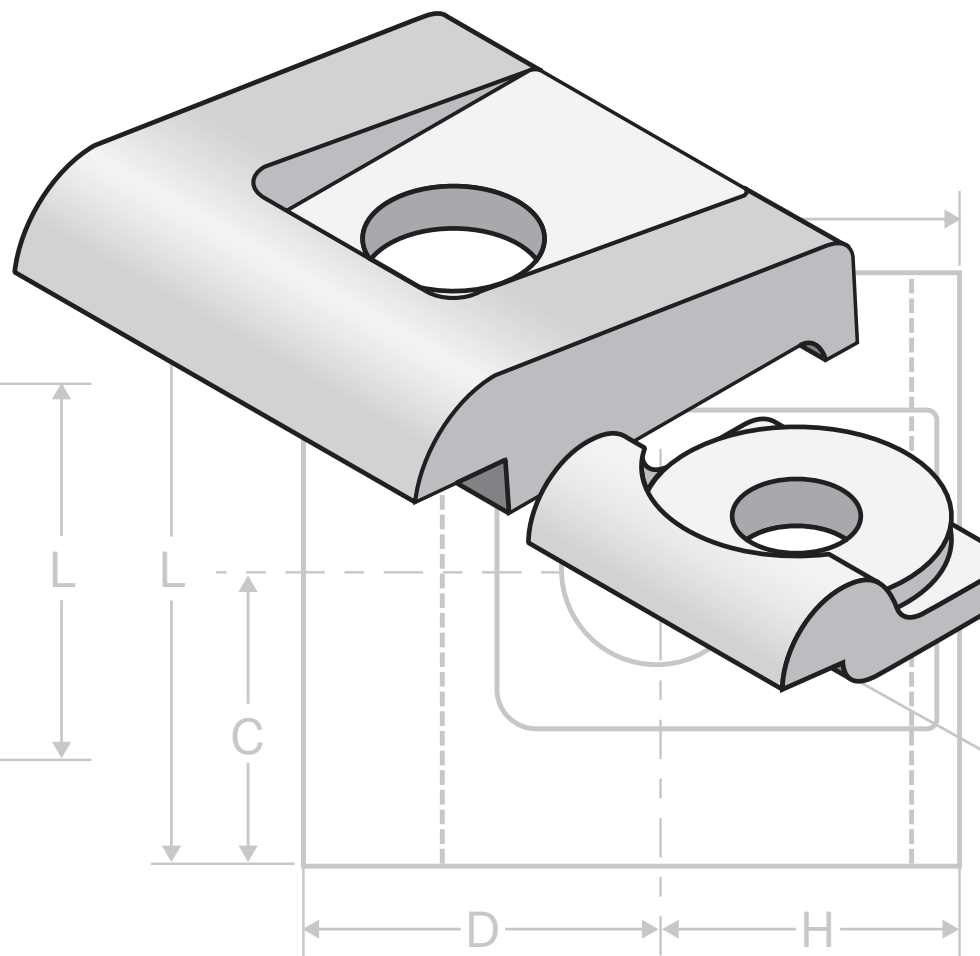
They are part of a full elevator component offering that includes all popular rail sizes, both standard and seismic fishplates as well as T-plates.

Orders are quickly filled from either of our stocking locations in Newark, NJ and Youngstown, OH. All sizes of rail clips are on hand at competitive pricing.

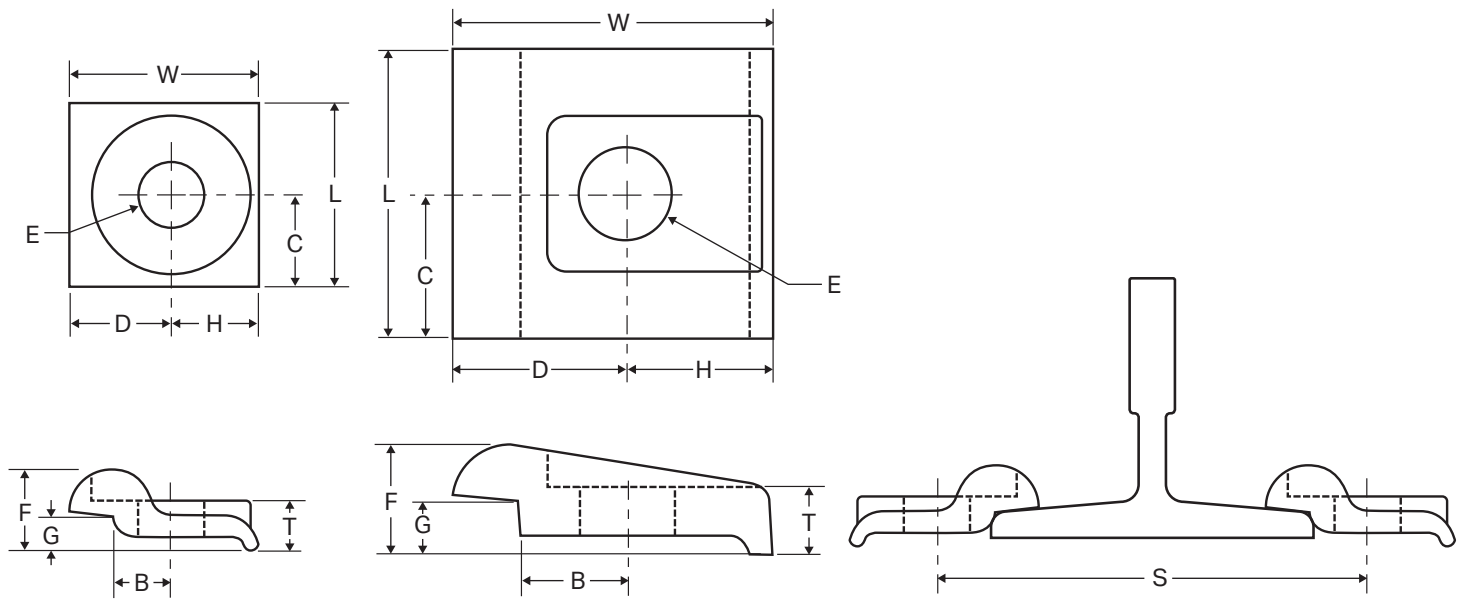
For use with these rail sizes:

T89	T127-1	T127-2
T140-1	T140-2	T140-3

To order or get further information, call **877-395-8338** or email sales@steelcounterweights.com.



Forged Rail Clips



Forged Rail Clips Dimensions (all dimensions in inches unless noted)

Rail Size	Weight lbs	L	W	B	C	D	E	F	G	H	T	S
T89	0.18	1.625	1.625	0.500	0.813	0.875	0.563	0.719	0.313	0.750	0.389	4.50
T127-1	0.42	2.000	2.188	0.688	1.000	1.188	0.688	1.000	0.500	1.000	0.625	6.38
T127-2	0.42	2.000	2.188	0.688	1.000	1.188	0.688	1.000	0.500	1.000	0.625	6.38
T140-1	0.42	2.000	2.188	0.688	1.000	1.188	0.688	1.000	0.500	1.000	0.625	6.88
T140-2	0.92	2.563	2.750	0.938	1.281	1.500	0.813	1.000	0.500	1.250	0.625	7.39
T140-3	1.15	3.000	2.750	0.938	1.500	1.500	0.813	1.125	0.750	1.250	0.750	7.39

Guide rails, standard and seismic fishplates, T-plate and counterweights are available.