

Guide Rails

ISC Elevator Products' guide rails match the quality of any guide rails available.

ISC guide rails are manufactured to strengths and tolerances set by ISO 7465-1997 and ASME A17.1 (as amended) and CSA B44.

Standard lengths are 8 and 16 feet. Custom lengths are available.

They are part of a full elevator component offering that includes both standard and seismic fishplates as well as T-plate. Forged rail clips are available.

Orders are quickly filled from either of our stocking locations in Newark, NJ and Youngstown, OH. All sizes of rails are on hand at competitive pricing.

Offerings

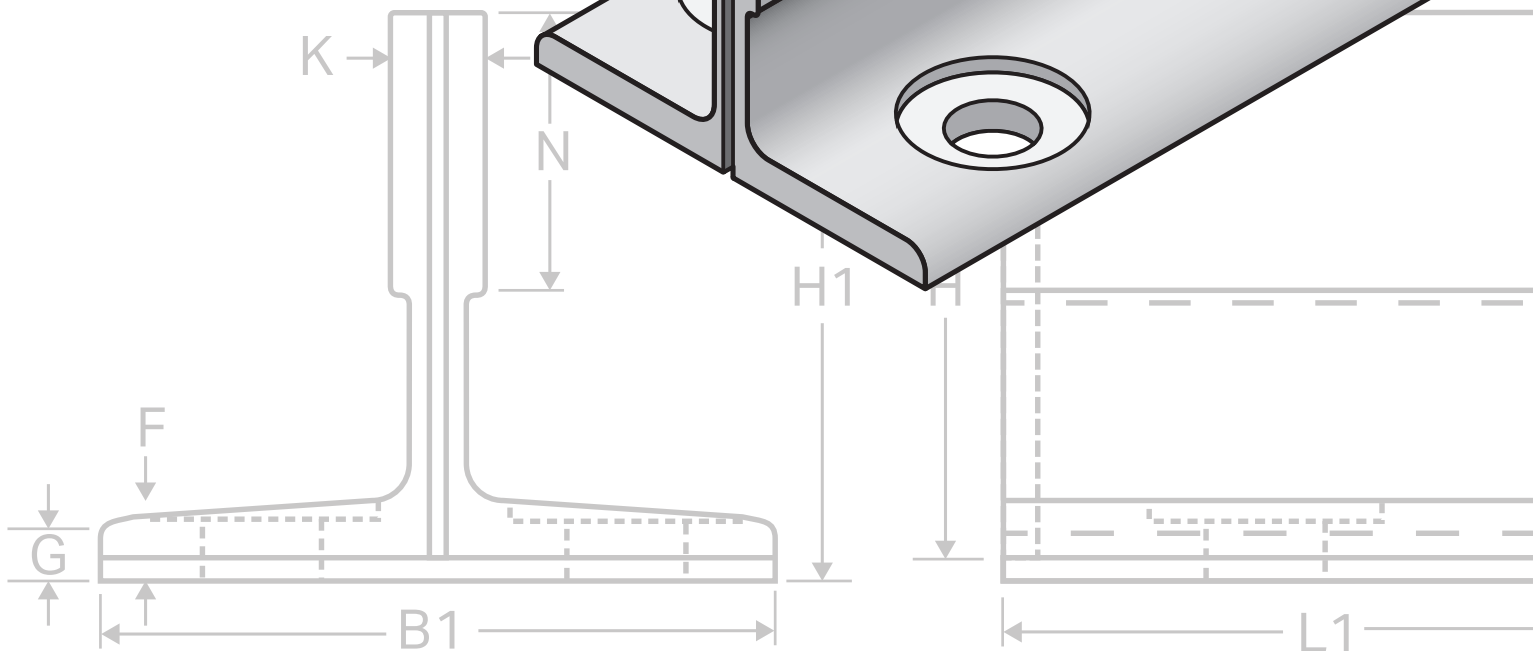
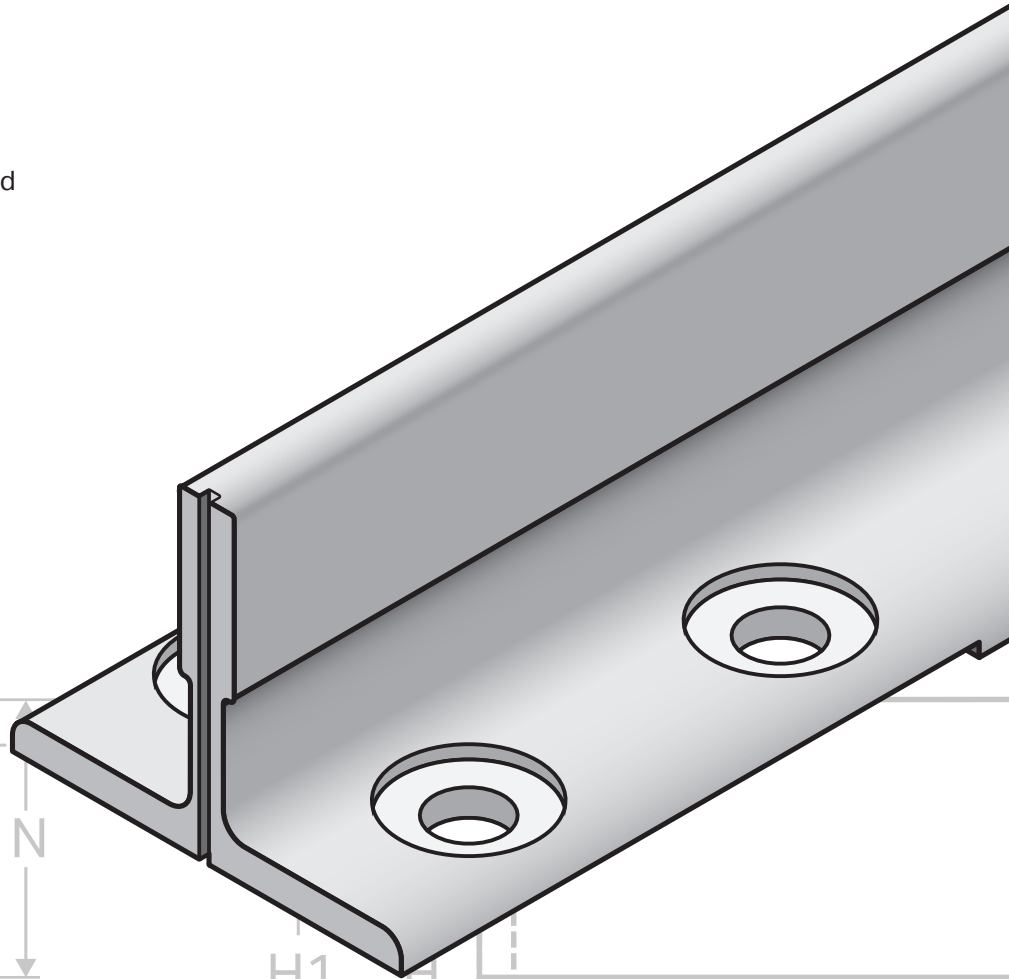
Cold drawn guide rails:
T45/A and T50/A

Machined guide rails:

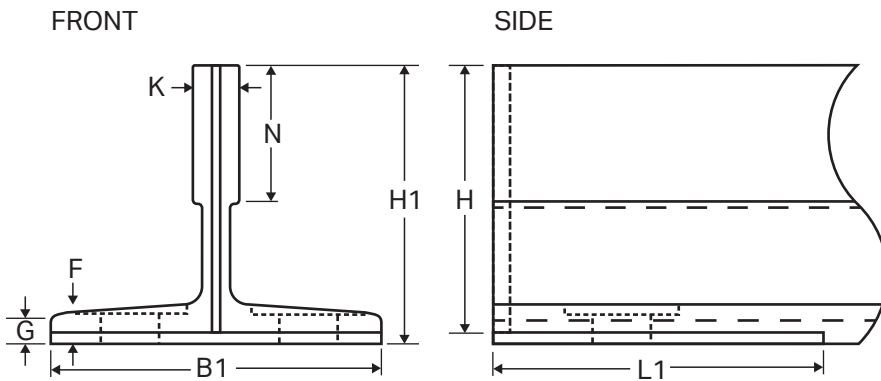
T70-1	T75-3/B	T89
T125/B	T127-1/B	T127-2/B
T140-1/B	T140-2/B	T140-3/B

High speed rails are available.

To order or get further information, call **877-395-8338** or email sales@steelcounterweights.com.

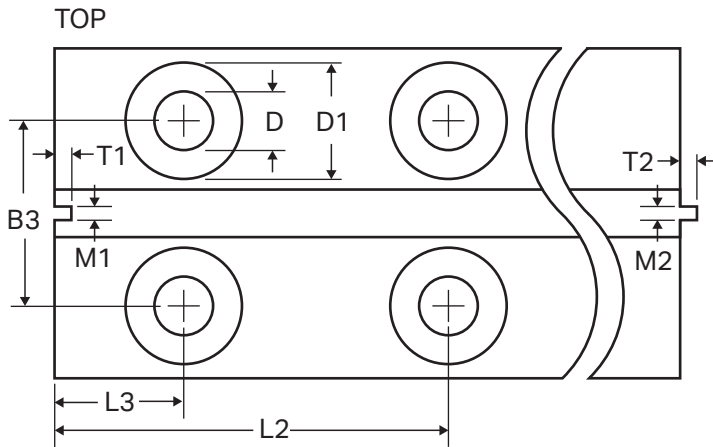


Guide Rails



Guide Rail Dimensions (all dimensions in inches unless noted)

Rail Size	Size Tolerances	B1 ±0.06	H1 ±0.03	K +0.004/-0	N -	F -	G -	L -	H ±0.06
T 70B	6 lb/ft	2.75	1.978	0.625	1	0.4375	0.313	6.14	1.937
T 89B	8 lb/ft	3.50	2.44	0.625	1.3125	0.4375	0.313	6.14	2.402
T 127-1B	12 lb/ft	5.00	3.50	0.625	1.75	0.4375	0.313	6.14	3.465
T 127-2B	15 lb/ft	5.00	3.50	0.625	2	0.625	0.500	6.14	3.465
T 140-1B	18 lb/ft	5.50	4.25	0.748	2	0.625	0.500	7.60	4.213
T 140-2B	22 lb/ft	5.50	4.02	1.125	2	0.6875	0.563	7.60	3.976
T 140-3B	30 lb/ft	5.50	5.00	1.250	2.25	1.000	0.688	7.60	4.961



Rail Size	Size Tolerances	B3 ±0.03	L2 +0.004/-0	L3 -	D -	D1 -	T1 -	T2 ±0.004	M1 ±0.008	M2 ±0.008
T 70B	6 lb/ft	1.813	4.50	1.50	0.5625	1.024	0.281	0.25	0.252	0.251
T 89B	8 lb/ft	2.250	4.50	1.50	0.5625	1.024	0.281	0.25	0.252	0.251
T 127-1B	12 lb/ft	3.125	4.50	1.50	0.6875	1.299	0.281	0.25	0.252	0.251
T 127-2B	15 lb/ft	3.125	4.50	1.50	0.6875	1.299	0.281	0.25	0.252	0.251
T 140-1B	18 lb/ft	3.625	6.00	1.25	0.8125	1.575	0.281	0.25	0.252	0.251
T 140-2B	22 lb/ft	3.625	6.00	1.25	0.8125	1.575	0.281	0.25	0.252	0.251
T 140-3B	30 lb/ft	3.625	6.00	1.25	0.8125	1.575	0.281	0.25	0.252	0.251

Standard and seismic fishplates, T-plate, rail clips and counterweights are available.