

Seismic T-Plates

ISC Elevator Products' T-plates match the quality of any T-plates available.

ISC seismic T-plates are manufactured to strengths and tolerances set by ISO 7465-1997 and ASME A17.1 (as amended) and CSA B44. Mounting bolts are included.

They are part of a full elevator component offering that includes both standard and seismic fishplates. Forged rail clips are available as well.

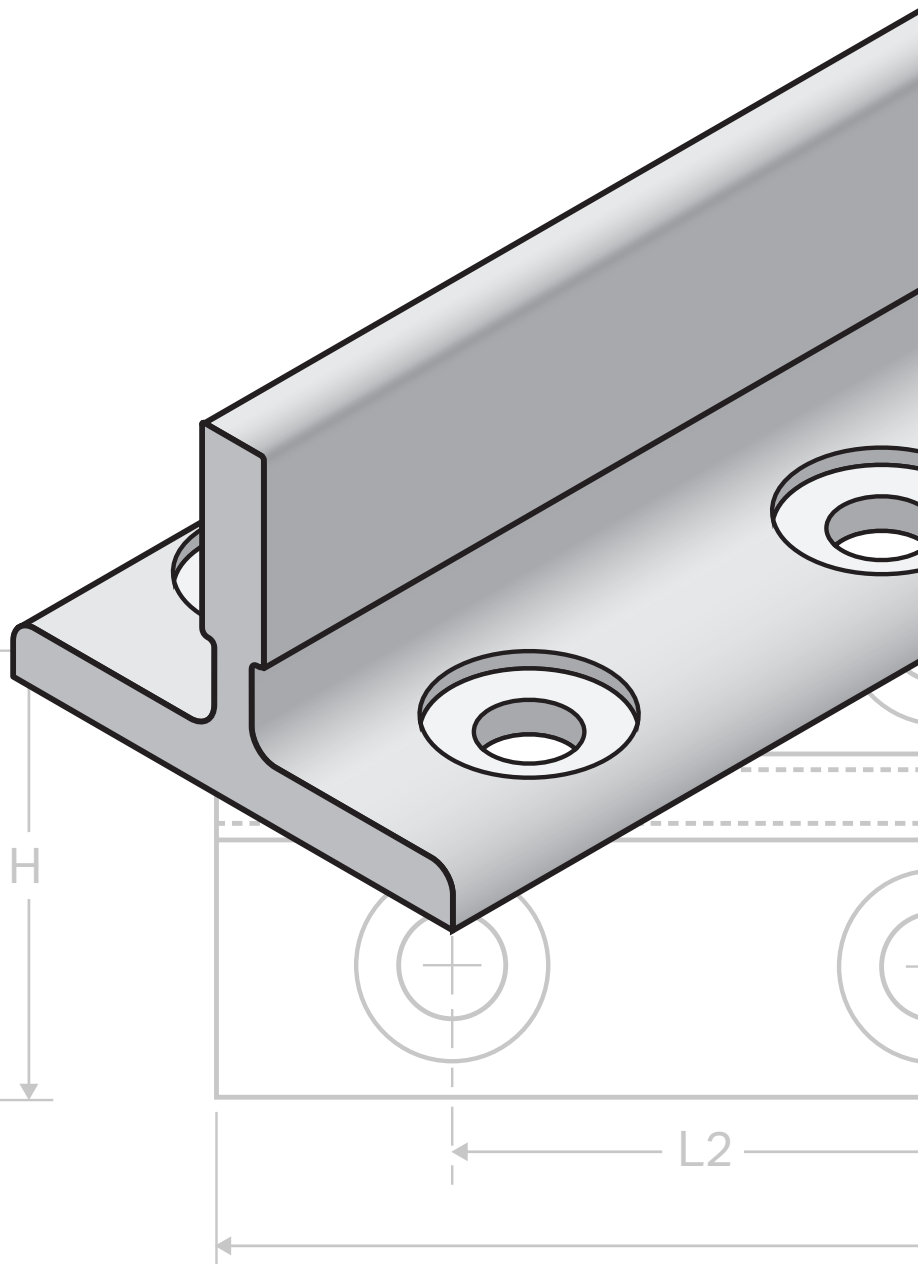
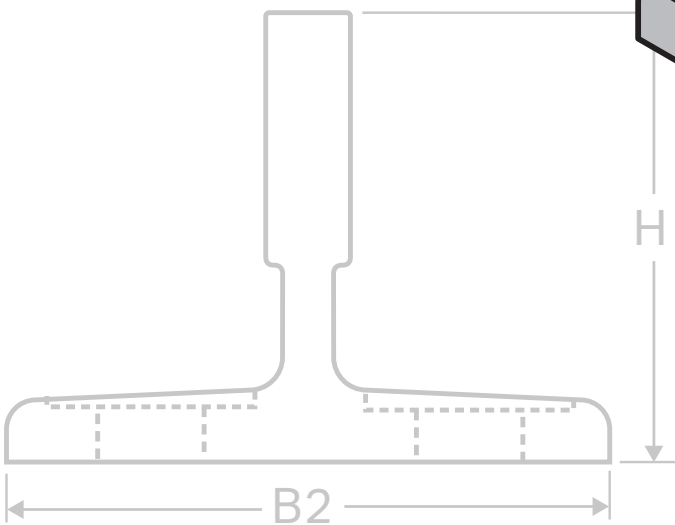
Orders are quickly filled from either of our stocking locations in Newark, NJ and Youngstown, OH. All sizes of T-plates are on hand at competitive pricing.

For use with these rail sizes:

T89	T127-1	T127-2
T140-1	T140-2	T140-3

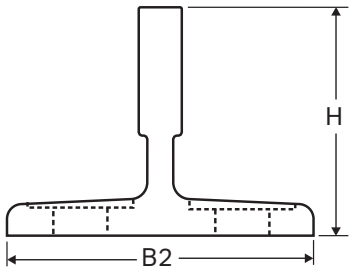
To order or get further information, call **877-395-8338** or email sales@steelcounterweights.com.

FRONT

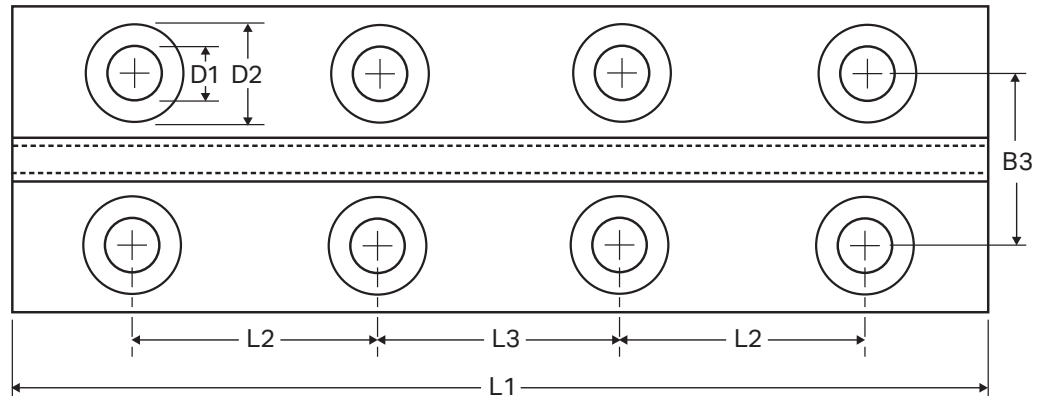


Seismic T-Plates

FRONT



TOP



Seismic Fishplate Dimensions (all dimensions in inches unless noted)

Rail Size	Weight lbs	D1	D2	B2	B3	L1	L2	L3	Hex Head Bolt Size
T89	8.27	0.5625	1.024	3.50	2.250	12.00	3.00	3.00	1/2 x 2
T127-2	15.11	0.6875	1.299	5.00	3.125	12.00	3.00	3.00	5/8 x 2-1/4
T140-1	22.41	0.8125	1.575	5.50	3.625	14.50	4.75	2.50	3/4 x 2-3/4
T140-2	27.54	0.8125	1.575	5.50	3.625	14.50	4.75	2.50	3/4 x 2-3/4
T140-3	37.35	0.8125	1.575	5.50	3.625	14.50	4.75	2.50	3/4 x 3

Guide rails, standard and seismic fishplates, rail clips and counterweights are available.